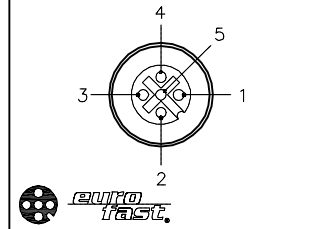


CABLE LENGTH	TOLERANCE*
ALL LENGTHS	+ 4% (OR 50mm) OF LENGTH - 0% (OR 0mm) OF LENGTH WHICHEVER IS GREATER
STRIP LENGTH	TOLERANCE*
0-7mm	±0.5mm
8-29mm	±1.0mm
30-49mm	±2.0mm
50-69mm	±3.0mm
70-100mm	±4.0mm
OVER 100mm	±5.0mm

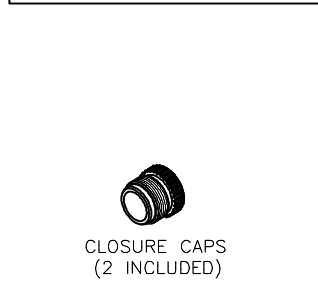
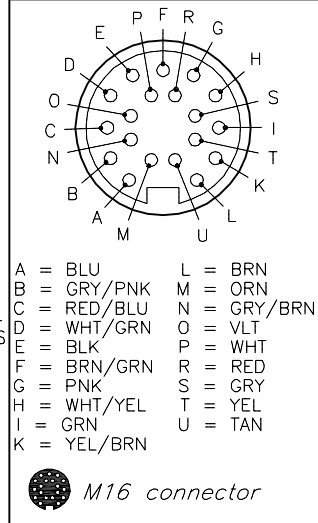
\* UNLESS OTHERWISE SPECIFIED

NOTES:  
1. "\*" INDICATES CABLE LENGTH IN METERS. CONTACT TURCK TO ORDER SPECIFIC LENGTHS.

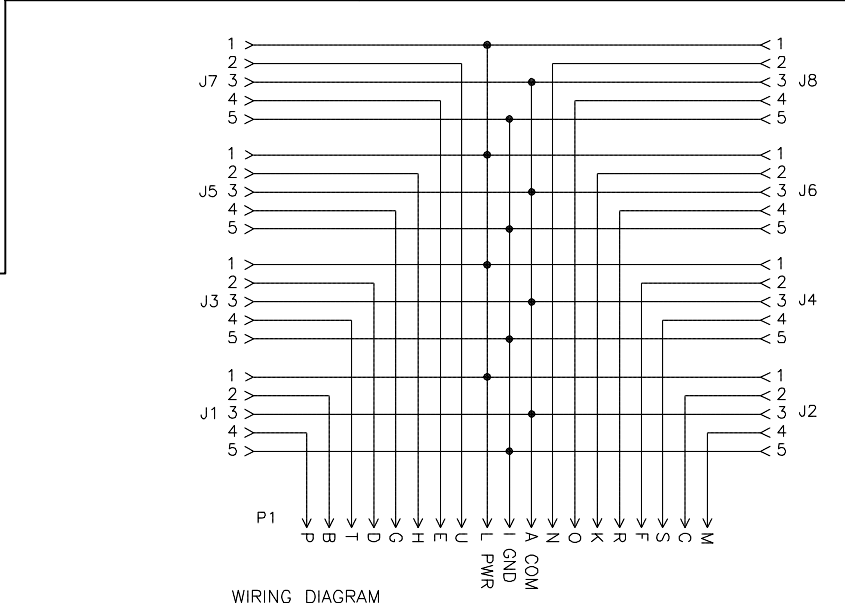
FEMALE END VIEW (J1-J8)



MALE END VIEW



SPECIFICATIONS	
CABLE DATA	
NUMBER OF CONDUCTORS [AWG]	19x22 AWG
DRAIN/SHIELD	24 AWG DRAIN/POLYESTER FOIL SHIELD
CONDUCTOR INSULATION MATERIAL	PVC
OUTER JACKET MATERIAL/COLOR	PVC/BLACK
MATERIAL	
HOUSING/COLOR	NYLON/BLACK
RECEPTACLE/FINISH	STAINLESS STEEL/PASSIVATED
CONTACT CARRIERS/COLOR	NYLON/BLACK
CONTACTS/PLATING	BRASS/GOLD
SEALING RING	FKM/FPM
ELECTRICAL DATA	
OPERATING VOLTAGE	10-30 VDC
OPERATING CURRENT	3.0 A
MECHANICAL DATA	
PROTECTION CLASS to DIN 40050	IP 67 - ONLY WHEN ALL RECEPTACLES ARE COVERED WITH PLUGS OR CONNECTED
OPERATING TEMPERATURE	-40°C to +105°C (-40°F to +221°F)



SOURCE DRAWING - FOR REFERENCE ONLY

RELATED DOCUMENTS	3RD ANGLE PROJECTION	THIS DRAWING IS CONFIDENTIAL AND THE PROPERTY OF TURCK INC. USE OF THIS DOCUMENT WITHOUT WRITTEN PERMISSION IS PROHIBITED.		3000 CAMPUS DRIVE MINNEAPOLIS, MN 55441 1-800-544-7769 (763) 553-7300 (763) 553-0708 fax www.turck.us	
1. 2. 3. 4.		DRFT	RWC	DATE	07/27/06
MATERIAL	SEE SPECIFICATIONS	APVD		SCALE	1=2.0
FINISH	SEE SPECIFICATIONS	UNIT OF MEASUREMENT		DESCRIPTION	
	CONTACT TURCK FOR MORE INFORMATION	MILLIMETER [ INCH ]		8MBV12-5-*M-BSMK 19-995	
		DO NOT SCALE THIS DRAWING		IDENTIFICATION NO.	REV
				FILE: 777014191	D

REV	DESCRIPTION	BY	DATE	ECO NO.
D	UPDATED SEALING RING MATERIAL PER ECO	TV	08/11/16	56141